



GLDA01A2A



Actual product appearance may vary.

Global Limit Switches Series GLS: Side Rotary With Roller - Adjustable, 1NC 1NO SPDT Snap Action, 0.5 in - 14NPT conduit

Features

- Designed to IEC standard for world-wide applications
- UL, CSA, and CE
- International conduit sizes
- Direct PLC interface compatible (two circuit)
- Modular construction reduces maintenance parts costs
- Designed for ease of installation
- Variety of basic switch versions
- Wide choice of actuators

Potential Applications

- Machine tools: metal fabrication equipment, presses, transfer lines and special machinery
- Material handling equipment: conveyors, elevators, cranes, and hoists
- Packaging machinery and process equipment
- Textile machinery
- Construction machinery and equipment, vehicles and lift trucks

Description

The GLS series limit switches are specifically designed for world-wide applications and are supported by Honeywell global resources for sale and after sale service.

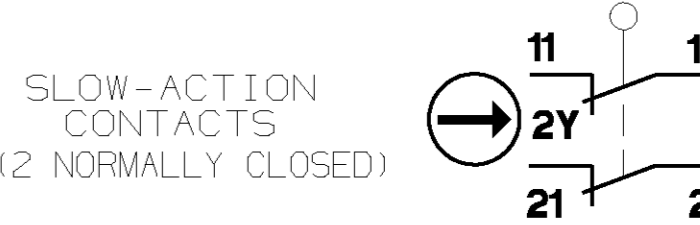
Product Specifications	
Availability	Global
Operating Force (O.F.)	0,120 N m [1.10 in lb]
Pretravel (P.T.)	26°
Overtravel (O.T.)	49°
Differential Travel (D.T.)	11.5°
Product Type	EN50041/47 Global Limit Switch
Actuator	Side Rotary
Lever Style	Roller - Adjustable
Circuitry	1NC 1NO SPDT Snap Action
Ampere Rating	10 A (Thermal)
Supply Voltage	600 Vac and 250 Vdc max.

Housing Material	Plastic
Termination Type	0.5 in - 14NPT conduit
Housing Type	EN 50047
Series Name	GLS MIN-DIN
Shock	50 g per IEC 68-2-27c (w/o Actuator)
Vibration	10 g per IEC 68-2-6 (w/o Actuator)
Sealing	NEMA 1, 12, 13 IP66
Approvals	UL, CSA, CE
CSA File #	LR94369-3
UL File #	E37138 & E157416
Mechanical Life	10 million
Operating Temperature Range	-40 °C to 85 °C [-40 °F to 185 °F]
Comment	Roller Material: Plastic
Agency Approvals and Standards	IEC 947-5-1, EN60947-5-1, UL508, UL746-C
UNSPSC Code	302119
UNSPSC Commodity	302119 Switches and controls and relays
Sealed	Industrial
Operating Position (O.P.)	26°

Honeywell

LIMIT SWITCH

CATALOGUE LISTING
GLS
CHART NO.
MTG-GL-192



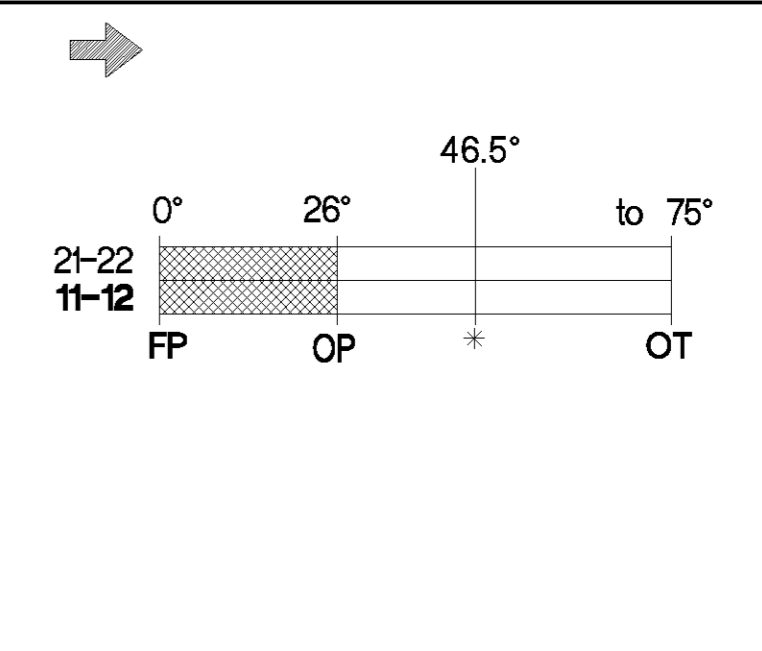
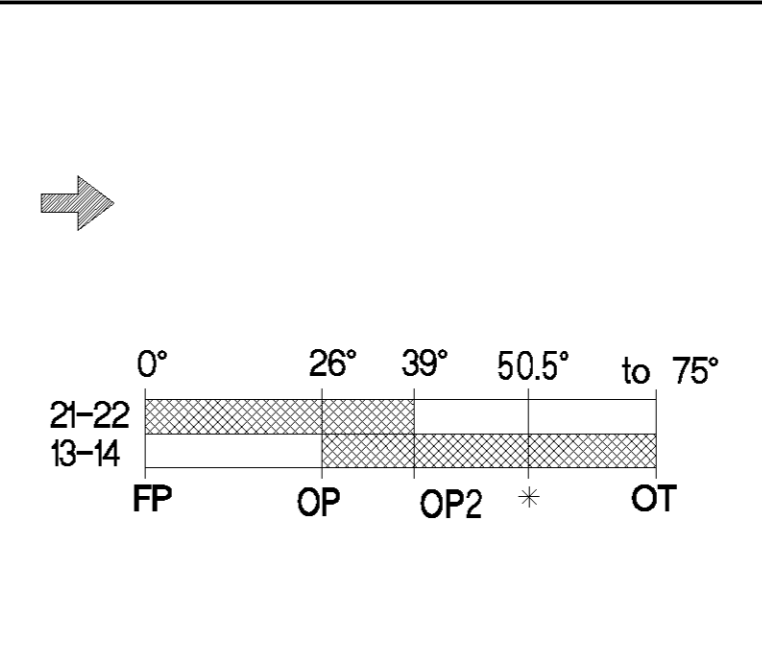
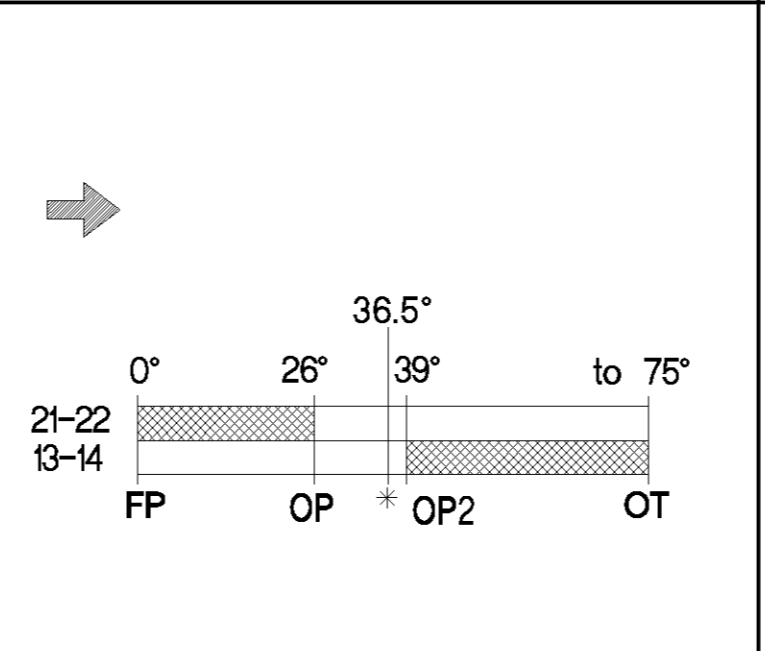
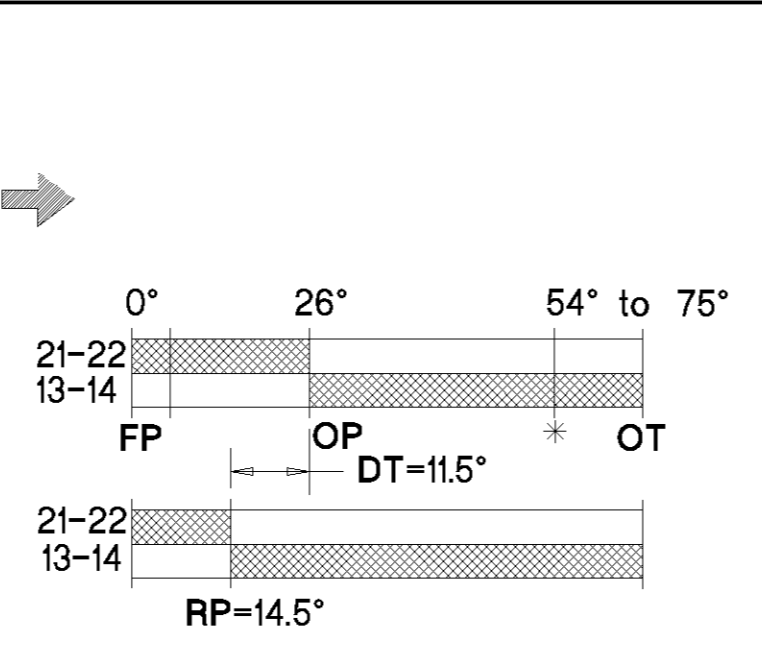
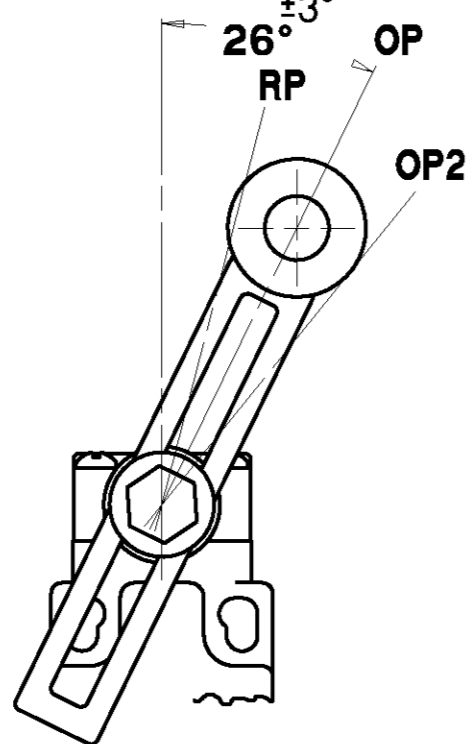
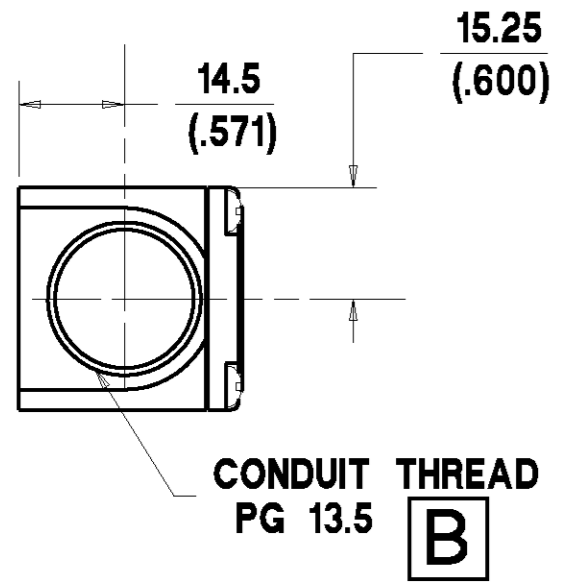
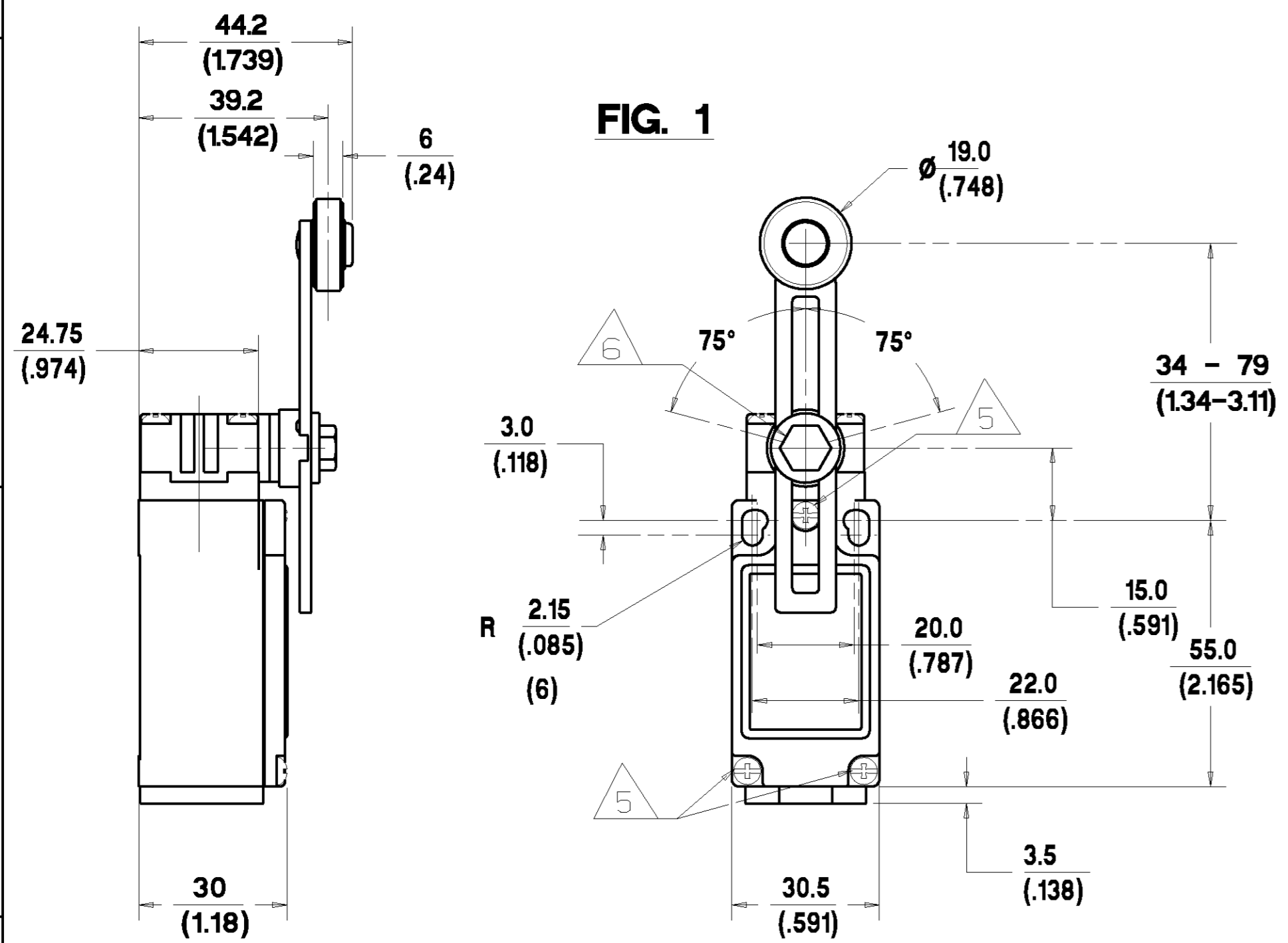
CONTACT BLOCK DIAGRAM TERMINAL DESIGNATION TO EN 50013

MTG-GL-192

REPLACES
DRAWING NUMBER
AO18-185

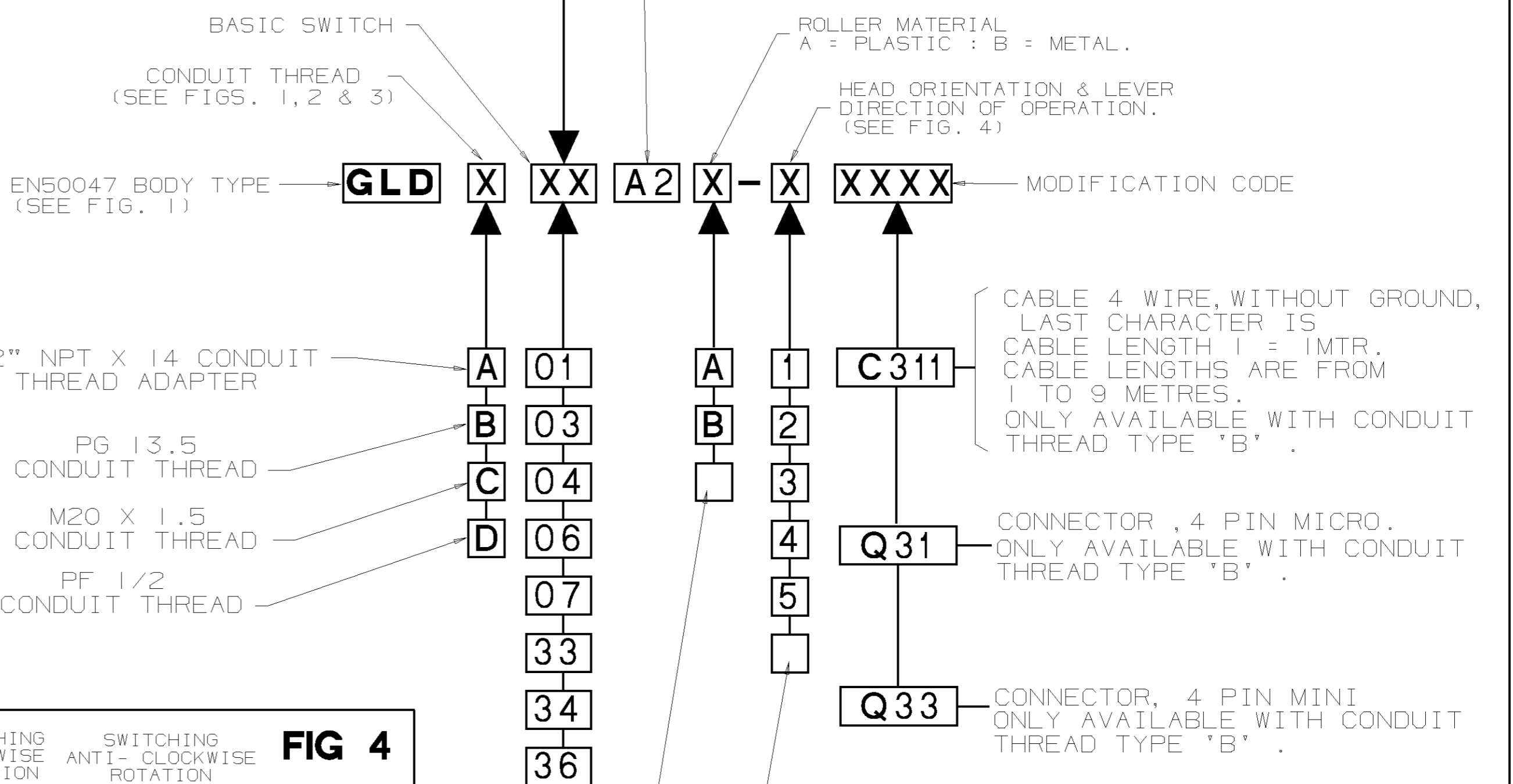
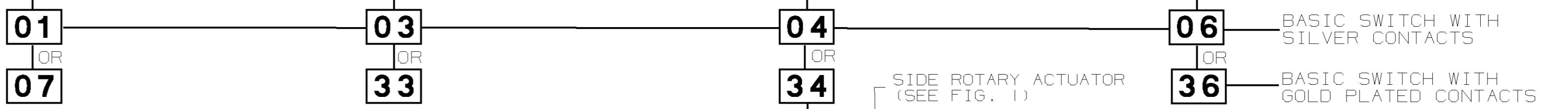
ISSUE
6

REVISIONS
2 7/96
3 12/96
4 7/97
5 8/97
6 CO/395
I WEIR 6/98



NOMINAL TRAVELS AND RELATED TERMINALS
CONTACT CLOSED
CONTACT OPEN
* POSITIVE OPENING TO IEC 947-5-1-3

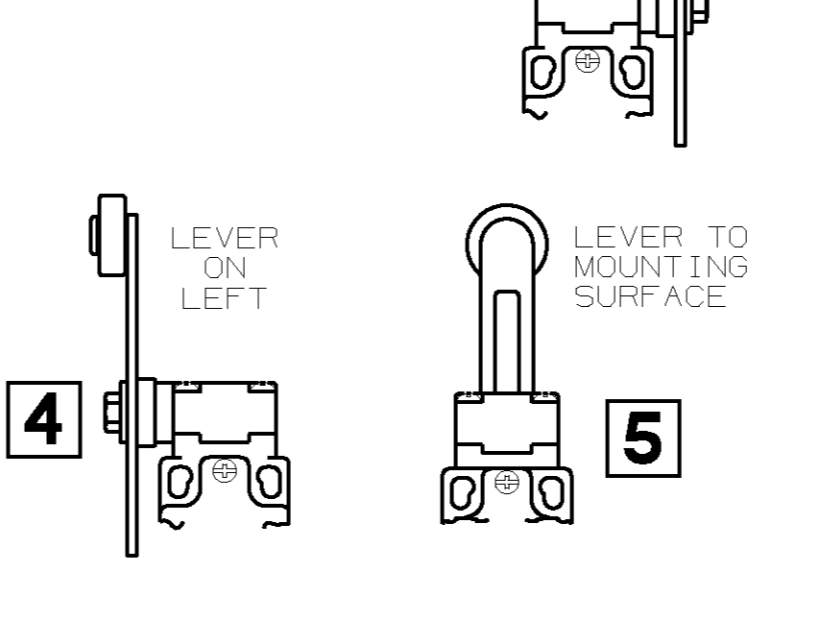
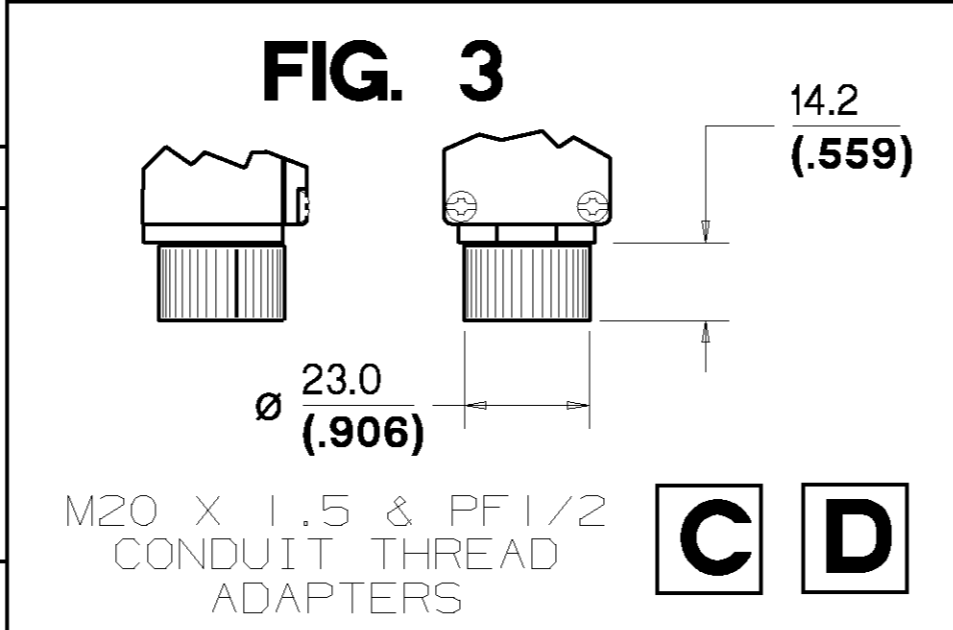
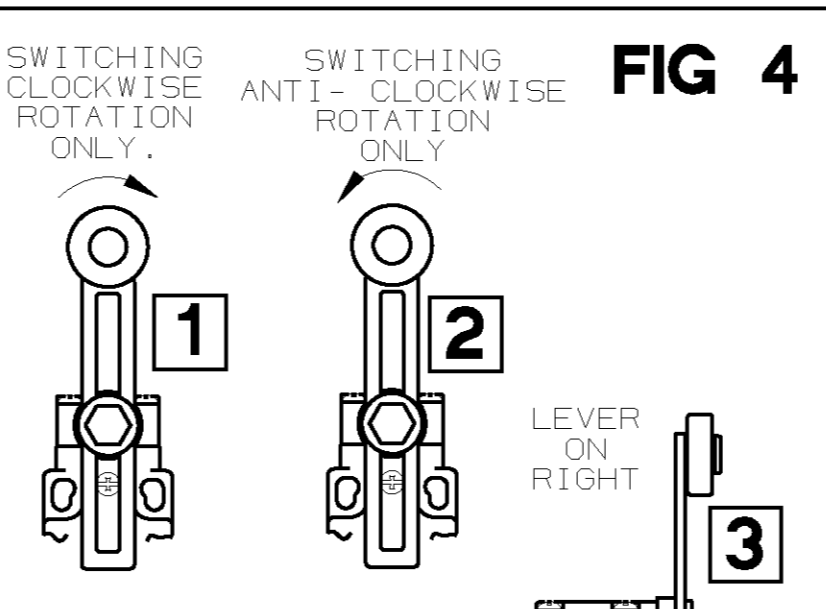
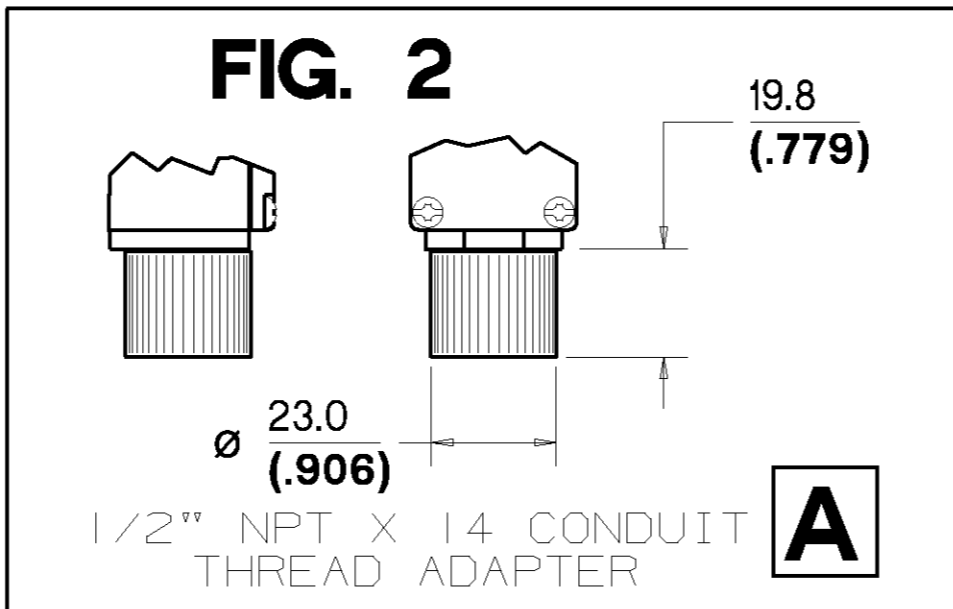
120 (1.1)	110 (1.0)	110 (1.0)	110 (1.0)	NORMAL OPERATING TORQUE MAX	Nmm (in.lbs)
140 (1.3)	160 (1.5)	170 (1.6)	150 (1.4)	MAXIMUM DISCONNECT TORQUE	Nmm (in.lbs)



- NOTES:-
- MICRO SWITCH BLUE GLASS FILLED POLYESTER HOUSING & COVER. BLACK GLASS FILLED POLYAMIDE HEAD.
 - ENCLOSURE DOUBLE INSULATED TO IEC 539 CLASS II.
 - MINIMUM OPERATING VELOCITY (Vmin) = 0.26 rad/s (THESE LIMITS APPLY TO CAM OPERATION AS SHOWN IN THE ABOVE DIAGRAMS ONLY)
MAXIMUM OPERATING VELOCITY (Vmax) = 25 rad/s
MAXIMUM OPERATING FREQUENCY (Fmax) = 250 OPS/MIN
 - FREE POSITION (FP), OPERATING POINT (OP), OVERTRAVEL (OT) AND PRETRAVEL (PT) ALL TO EN50047.
 - MAXIMUM TIGHTENING TORQUE FOR FIXING SCREW = 0.5Nm (4.4in.LB)
 - MAXIMUM TIGHTENING TORQUE FOR FIXING SCREW = 0.8Nm (7in.LB)

NOTE:- ANY STANDARD LISTING WITH SUFFIX 'RS' OR 'FE' IS PERMITTED.

NO CHANGES CAN BE MADE TO THIS DRAWING WITHOUT JOINT NEWHOUSE/FREEPORT APPROVAL



NOTE: FOR CONNECTION DIAGRAMS AND ADDITIONAL ELECTRICAL ENVIRONMENTAL & DIMENSIONAL INFORMATION SEE DRAWING GL-49212.

6/95		6/95		6/95		IEC 947-5-1 ELECTRICAL RATING	
DRAWN M. LOCH		CHECK I. WEIR		DESIGN J. BOYD		AUTHOR P. TRICKETT	
AC		AC (FOR 2NC)		DC		GOLD PLATED CONTACTS	
A600 AC15		A500 AC15		0300 DC13		I _{th} = 10A	
U _e I _e		U _e I _e		U _e I _e		1V 10µA MIN. 50V 100mA MAX.	
VOLTS AMPS		VOLTS AMPS		VOLTS AMPS		SHOCK : 50G PER IEC 68-2-27 VIBRATION : 10G PER IEC 68-2-6	
120 5		120 5		250 0.27		IEC 947-5-1 EN50047	
240 5		240 5		500 1.4			
380 1.5		380 1.5		500 1.4			
480 1.4		480 1.4		500 1.4			
500 1.4		500 1.4		500 1.4			
600 1.2		600 1.2		600 1.2			
THE COPYRIGHT OF THIS DRAWING IS THE PROPERTY OF HONEYWELL LTD. THE DRAWING IS SUPPLIED IN CONFIDENCE AND MUST NOT BE USED FOR ANY PURPOSE OTHER THAN THAT FOR WHICH IT IS SUPPLIED.							
SCALE 1:1		DIMENSIONS ARE IN MM/INCHES.		MODIFY ON CAD SYSTEM ONLY		THIRD ANGLE PROJECTION	